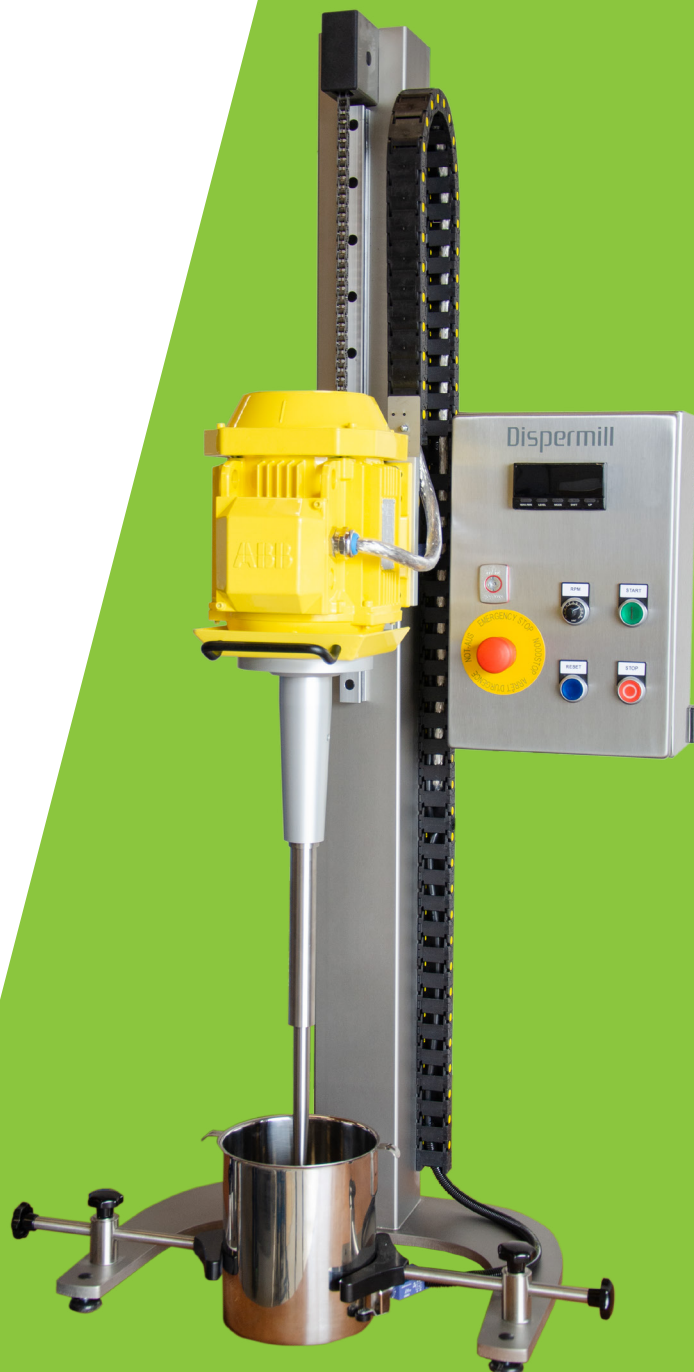


Dispermill TT-400

Laboratory Dissolver

The Dispermill TT-400 is designed for the heavier laboratory research and development projects. This unit is equipped with a powerful 4,0 kW motor which delivers that extra you need for high viscous products. This is the strongest tabletop laboratory model we have on the market. The motor maintains its selected speed, independent of changes in viscosity. This guarantees optimum performance for your dissolving process.



FEATURES

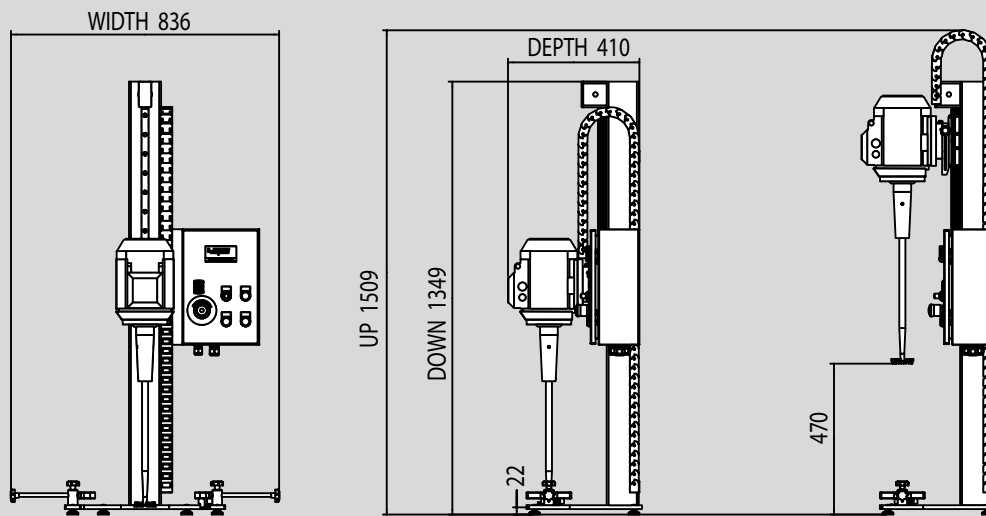
- ✓ Speed control by frequency inverter
- ✓ Digital speed readout
- ✓ Separate electronic cabinet
- ✓ Vessel clamping system with two arms
- ✓ 5m cable between dissolver and electric cabinet included (other length on request)
- ✓ 125 mm dispersing disc included

Dispermill TT-400

4,0 kW, 150 - 4.000 RPM, 500 ml - 25 L

Order code

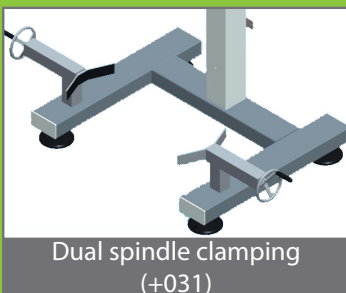
10-1090



TECHNICAL SPECIFICATIONS

Power	4,0 kW / 5,5 HP
Supply	400V +/- 10% 50/60 Hz, 16 Ampere
Speed	150 till 4.000 RPM
Thermal protection	PTC Temperature sensors
Volume range vessel	500 ml - 25 L
Diameter vessel	80 - 305 mm (min. - max.)
Height vessel	85 - 430 mm (min. - max.)
Dispersing disc	125 mm (interchangeable)
Dimensions (in mm)	410 x 836 x 1349/1509 (D x W x H)
Weight	+/- 80 KG
Safety CE	Conformity Directive 2006/42/EC
Electrical cabinet	Dimensions: 500 x 400 x 210 mm.

OPTIONS



Dual spindle clamping
(+031)

- +015 Power readout in kW
- +011 Mechanical timer with automatic stop (120 min)