

Dispermill H-series

Pilot dissolver

The Dispermill H-series is designed for the bigger laboratory research and development projects and pilot plants. The H-shaped floor stand ensures stability on the dissolver and the counterweight provides a balance that eases to move the machine up and down with the ergonomic lever. The powerful motor maintains its selected speed, independent of changes in viscosity. This guarantees optimum performance for your dissolving process. Besides, the stainless steel design is easy to maintain.

SAFETY FIRST

Your safety is very important to us. Safety interlocks for vessel detection and operation height are developed to ensure that no hazardous situations occur. This means that you can focus on your activities without being worried. We also offer an ATEX version of this model that can operate in an environment with an explosive atmosphere.

APPLICATION

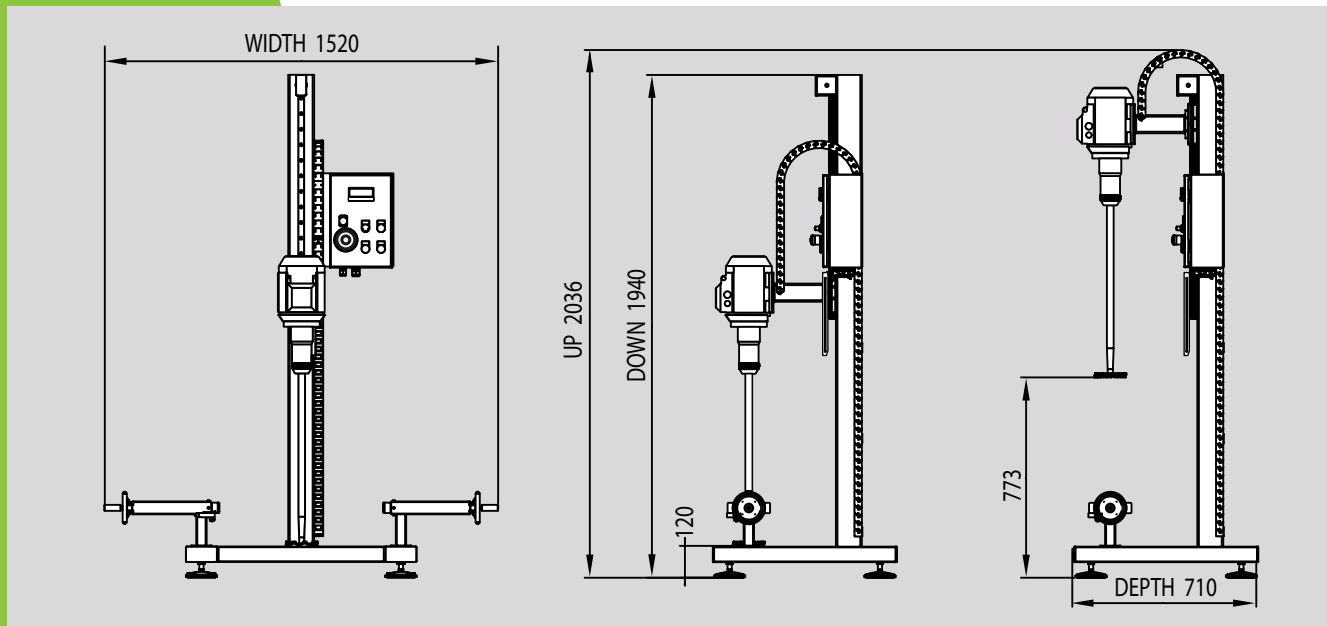
The Dispermill H-series fills the gap between the laboratory and the production dissolvers. Do you need a bigger testing sample or a smaller production batch? That's where the Dispermill H-series comes in.

FEATURES

- ✓ Speed control by frequency inverter
- ✓ Digital speed readout
- ✓ Separate electronic cabinet
- ✓ Vessel clamping system
- ✓ 5 m cable between dissolver and electric cabinet included (other length on request)
- ✓ 150 mm dispersing disc included



Dispermill H-series	Order code
H220 2.2 kW, 150 - 4.000 RPM, 15 L - 150 L	10-1099
H400 4.0 kW, 150 - 4.000 RPM, 15 L - 150 L	10-1086
H550 5.5 kW, 150 - 4.000 RPM, 15 L - 150 L	10-1087

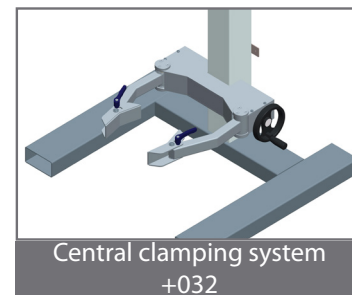
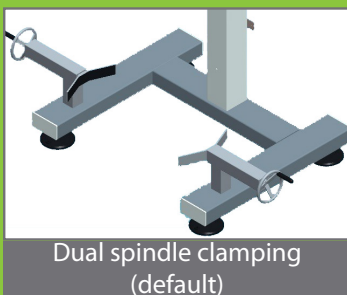


TECHNICAL SPECIFICATIONS

Power	2.2 kW / 4.0 kW / 5.5 kW
Supply	400 V +/- 10% 50/60Hz
Protection class	IP 54
Speed	250 till 4000 RPM
Thermal protection	PTC Temperature sensors
Volume range vessel	15 - 150 L
Diameter vessel	150 - 630 mm (min. - max.) ¹
Height vessel	300 - 760 mm (min. - max.)
Dispersing disc	150 mm (interchangeable)
Dimensions (in mm)	710 x 1520 x 1940/2036 (D x W x H)
Weight	+/- 125 KG (depending on components)
Readout	True shaft speed
Safety CE	Conformity Directive 2006/42/EC

¹in combination with default clamping system

OPTIONS



- +015 Power readout in kW
- +011 Mechanical timer with automatic stop 120 min
- +040 Wheels 4x (2x with brake)
- +050 Vessel cover systems (on request)